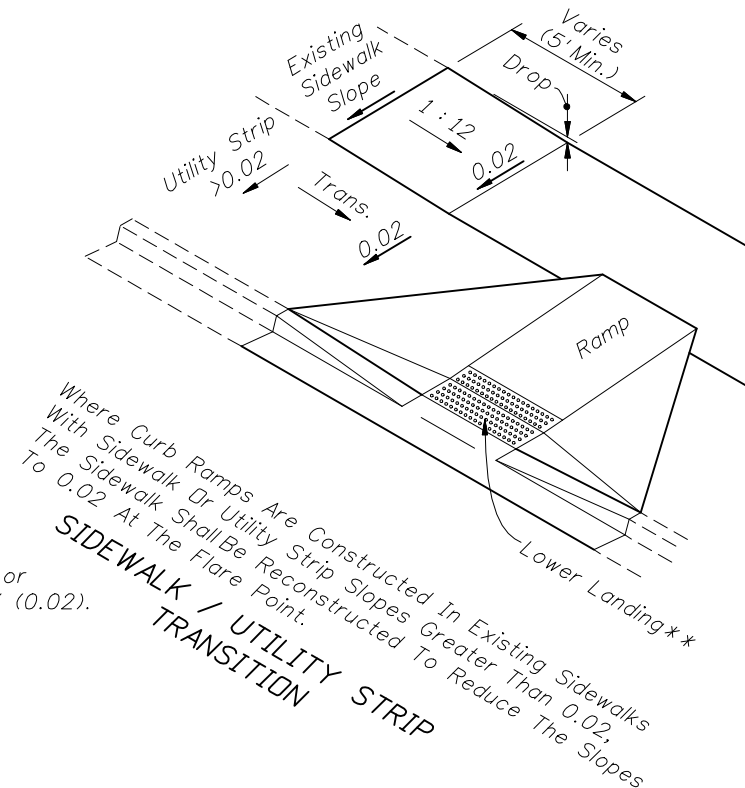
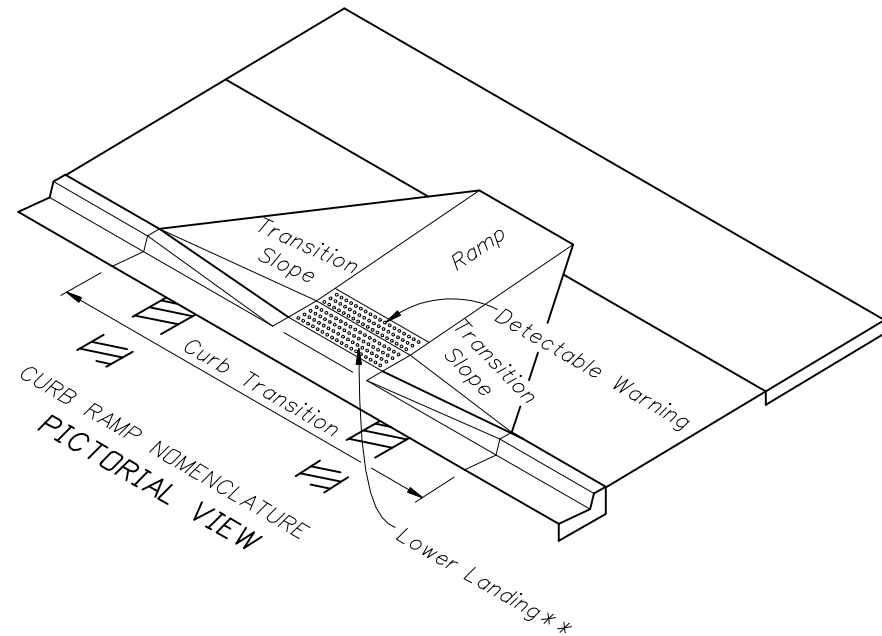
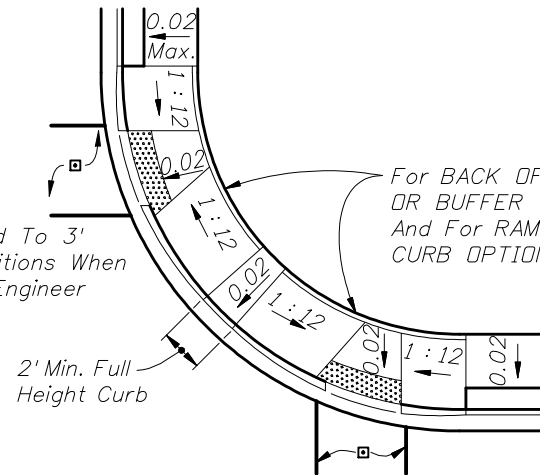
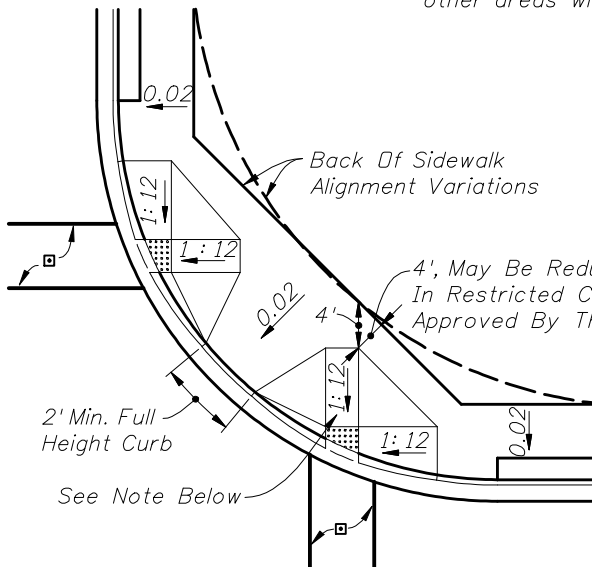


GENERAL NOTES

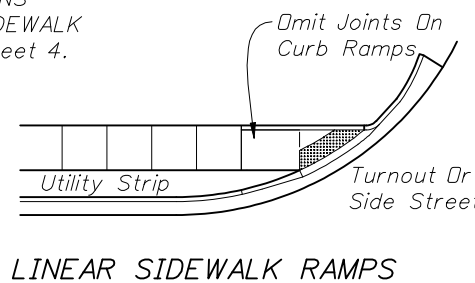


**Lower landing not required at driveways, parking lots, or other areas with pavement cross-slopes less than 2% (0.02).

Where Curb Ramps Are Constructed In Existing Sidewalks With Sidewalk Or Utility Strip Slopes Greater Than 0.02, The Sidewalk Shall Be Reconstructed To Reduce The Slopes To 0.02 At The Flare Point.



For BACK OF SIDEWALK CURB OR BUFFER TRANSITIONS And For RAMP AND SIDEWALK CURB OPTIONS See Sheet 4.



LINEAR SIDEWALK RAMPS

Note: A portion of one or both ramps may extend outside the return.

Note: When crosswalk markings are required, ramp runs must fall within crosswalk limits and where practical, be parallel with the projected crosswalk alignment. The bottom of the ramp beyond the curb line shall have a clear space 48" minimum within the markings of a marked crosswalk. If no crosswalk markings are present, the bottom of the ramp beyond the curb ramp shall have a clear space 48" minimum outside active traffic lanes.

▣ Crosswalk widths and configuration vary; must conform to Index No. 17344 and 17346.

1. Public sidewalk curb ramps shall be constructed in the public right of way at locations that will provide continuous unobstructed pedestrian circulation paths to pedestrian areas, elements and facilities in the public right of way and to accessible pedestrian routes on adjacent sites. Curbed facilities with sidewalks and those without sidewalks are to have curb ramps constructed at all street intersections and at turnouts that have curbed returns. Partial curb returns shall extend to the limit prescribed by Index No. 515 to accommodate curb ramps. Ramps constructed at locations without sidewalks shall have a landing constructed at the top of each ramp, see Sheet 5.

2. The location and orientation of curb ramps shall be as shown in the plans.

3. Curb ramp running slopes at unrestrained sites shall not be steeper than 1:12 and cross slope shall be 0.02 or flatter. Transition slopes shall not be steeper than 1:12.

When altering existing pedestrian facilities where existing site development precludes the accommodation of a ramp slope of 1:12, a running slope between 1:12 and 1:10 is permitted for a rise of 6" maximum and a running slope of between 1:10 and 1:8 is permitted for a rise of 3" maximum. Where compliance with the requirements for cross slope cannot be fully met, the minimum feasible cross slope shall be provided.

Ramp running slope is not required to exceed 8' in length, except at sites where the plans specify a greater length.

4. If a curb ramp is located where pedestrians must walk across the ramp, then the walk shall have transition slopes to the ramp; the maximum slope of the transitions shall be 1:12. Ramps with curb returns may be used at locations where other improvements provide guidance away from that portion of curb perpendicular to the sidewalk; improvements for guidance are not required at curb ramps for linear pedestrian traffic.

5. Curb ramp detectable warning surfaces shall extend the full width of the ramp and 24" deep. Detectable warning surfaces shall be constructed in accordance with Specification 527. See Sheet 6 of 6 for detectable warning layouts. Transition slopes are not to have detectable warnings.

6. Where a curb ramp is constructed within existing curb, curb and gutter and/or sidewalk, the existing curb or curb and gutter shall be removed to the nearest joint beyond the curb transitions or to the extent that no remaining section of curb or curb and gutter is less than 5' long. The existing sidewalk shall be removed to the nearest joint beyond the transition slope or walk around or to the extent that no remaining section of sidewalk is less than 5' long. For details of Concrete Sidewalk See Index 310.

7. Alpha-numeric identifications are for reference (plans, permits, etc.).

8. Public sidewalk curb ramps are to be paid for as follows:
Ramps, reconstructed sidewalks, walk around sidewalks, sidewalk landings and sidewalk curbs are to be paid for under the contract unit price for Sidewalk Concrete, (___" Thick), SY. Curb transitions and reconstructed curbs are to be paid for under the contract unit price for the parent curb, i.e., Curb Conc., (Type __), LF or Curb and Gutter Conc., (Type __), LF.

When a separate pay item for the removal and disposal of existing curb, curb and gutter, and/or sidewalk is not provided in the plans, the cost of removal and disposal of these features shall be included in the contract unit price for new curb, curb and gutter and/or sidewalk respectively.

9. Acceptance Criteria for Detectable Warnings:
(a) The ramp detectable warning surface shall be complete and uniform in color and texture
(b) 90% of the individual truncated domes must comply with the design criteria
(c) There may be no more than 4 non-complying domes in any one square foot of surface
(d) No two adjacent domes may be non-compliant
(e) Surface may not deviate more than 0.10" from a true plane

10. All sidewalk surfaces, ramp surfaces, and landings with a cross slope shown in this Index to be 0.02 shall be 0.02 maximum. All ramp surfaces and ramp transition slopes with a slope shown in this Index to be 1:12 shall be 1:12 maximum.

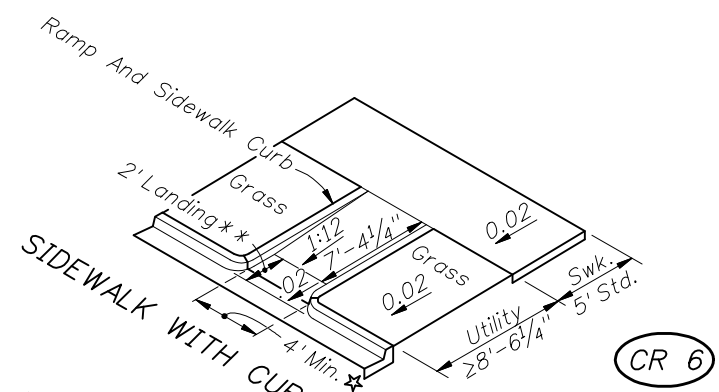
TYPICAL PLACEMENT OF PUBLIC SIDEWALK CURB RAMPS AT CURBED RETURNS



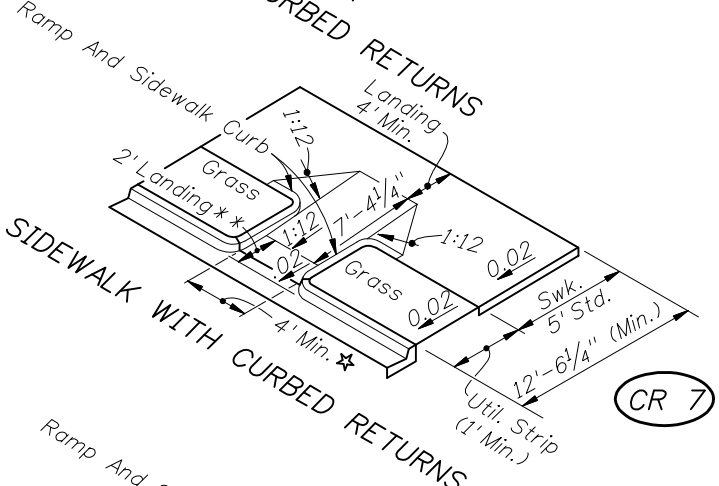
2010 FDOT Design Standards

PUBLIC SIDEWALK CURB RAMPS

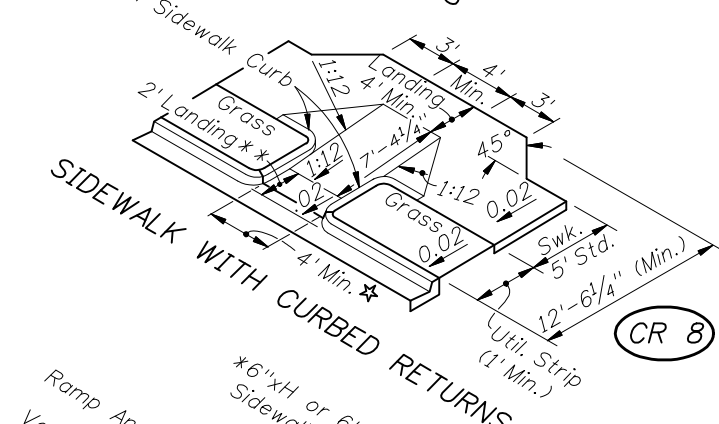
Last Revision	Sheet No.
07/01/07	1 of 6
Index No.	
304	



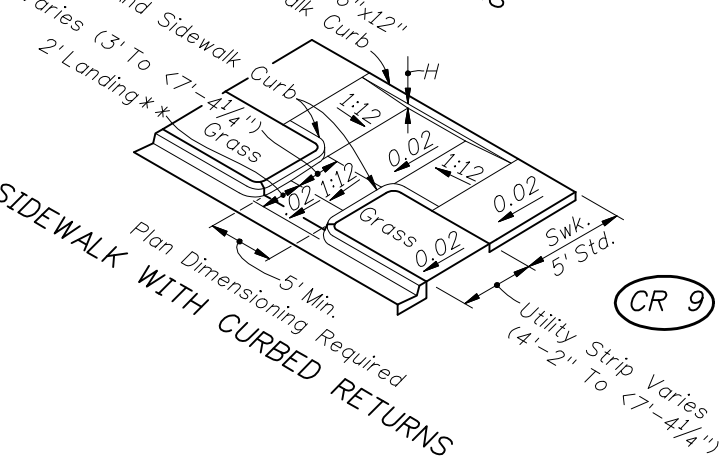
CR 6



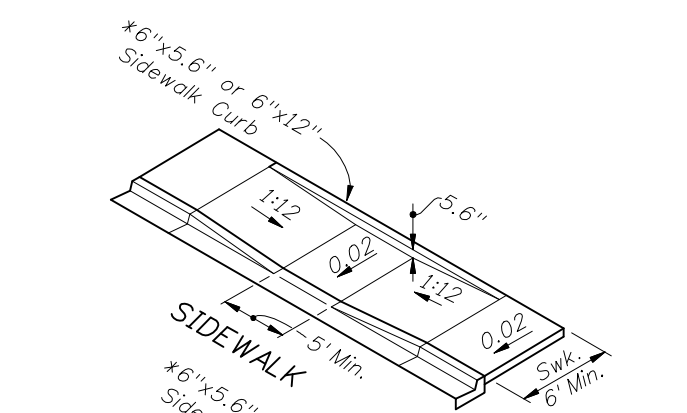
CR 7



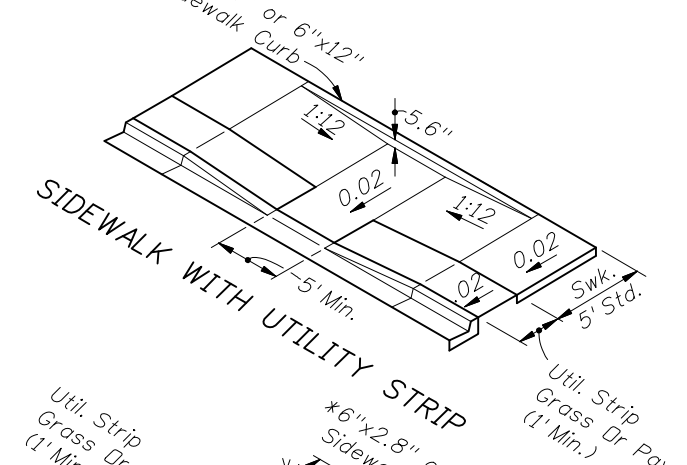
CR 8



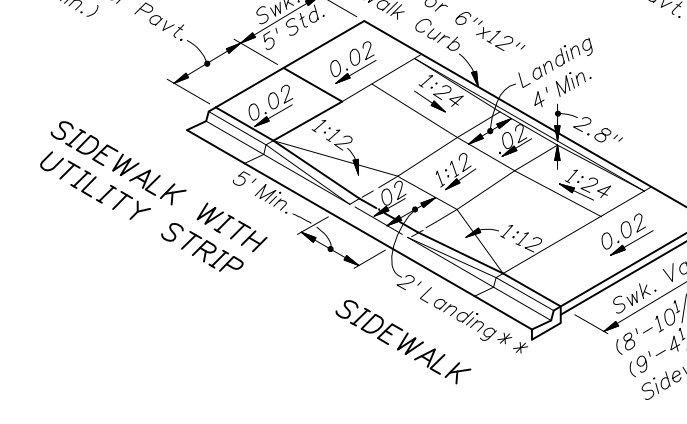
CR 9



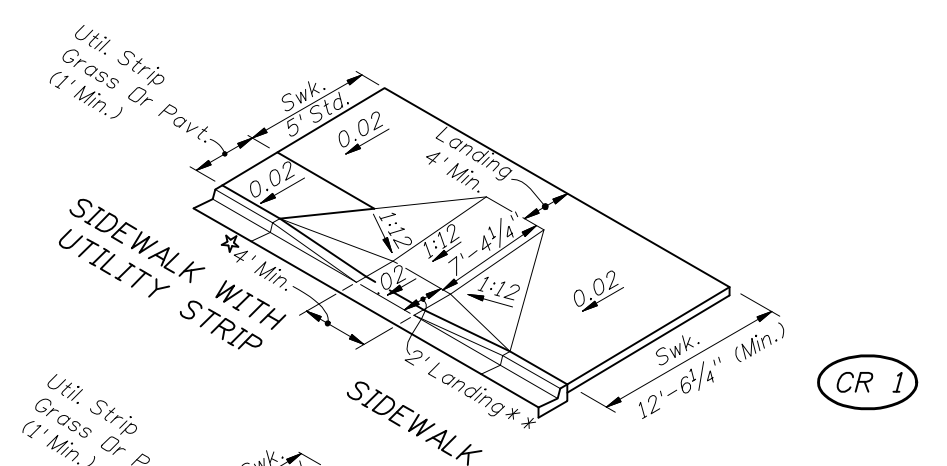
CR 3



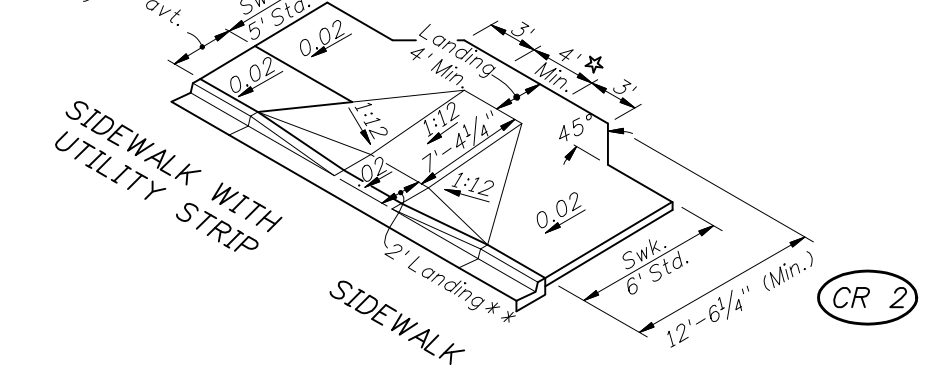
CR 4



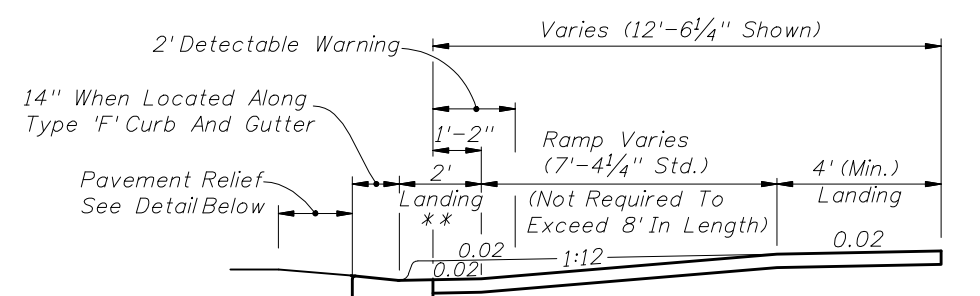
CR 5



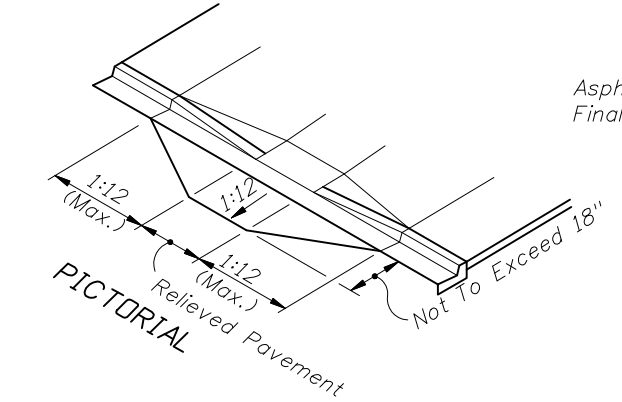
CR 1



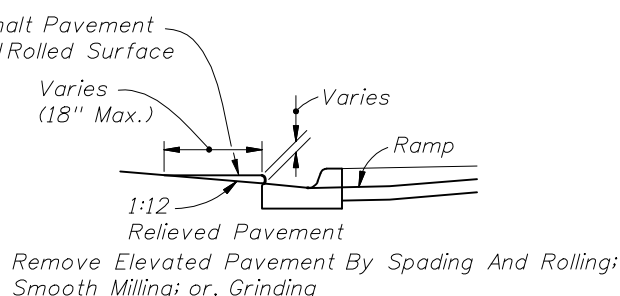
CR 2



SECTION THROUGH RAMP RUN AND LANDINGS WITH UPPER LANDING AT NORMAL SIDEWALK ELEVATION



PICTORIAL PAVEMENT RELIEF AT LIP OF CURB

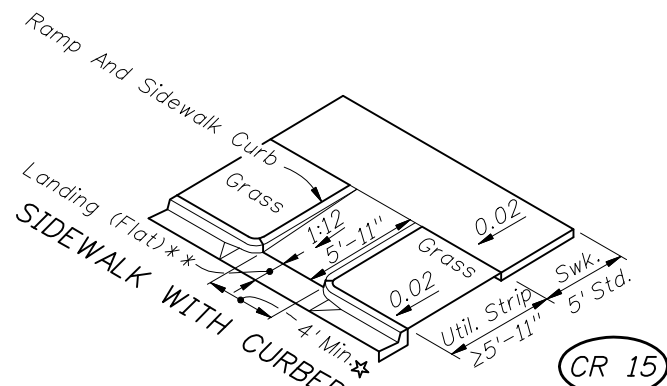


SECTION

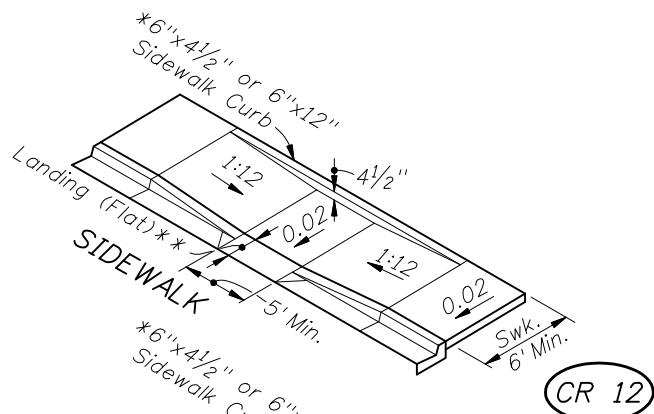
DIMENSIONAL FEATURES FOR PUBLIC SIDEWALK CURB RAMPS WHERE RAMP AND LANDING DEPTH ARE NOT RESTRICTED BY RIGHT OF WAY

- * For BACK OF SIDEWALK CURB OR BUFFER TRANSITION And For RAMP AND SIDEWALK CURB OPTIONS See Sheet 4.
- ** Lower landing not required at driveways, parking lots, or other areas with pavement cross-slopes less than 2% (0.02).
- ★ Ramp Widths For Curb Ramps CR 1, CR 2, CR 6, CR 7, And CR 8 May Be Reduced To 3' Min. In Restricted Conditions When Approved By The Engineer.

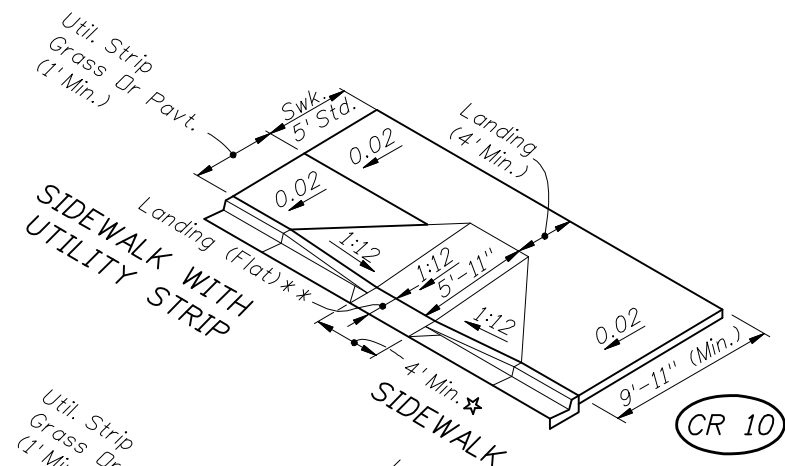




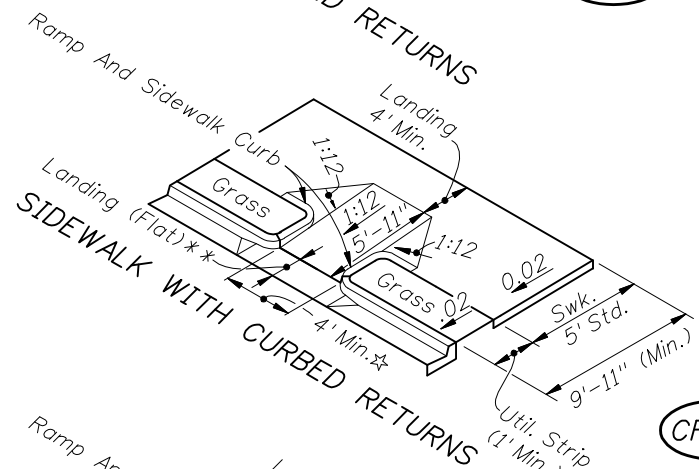
CR 15



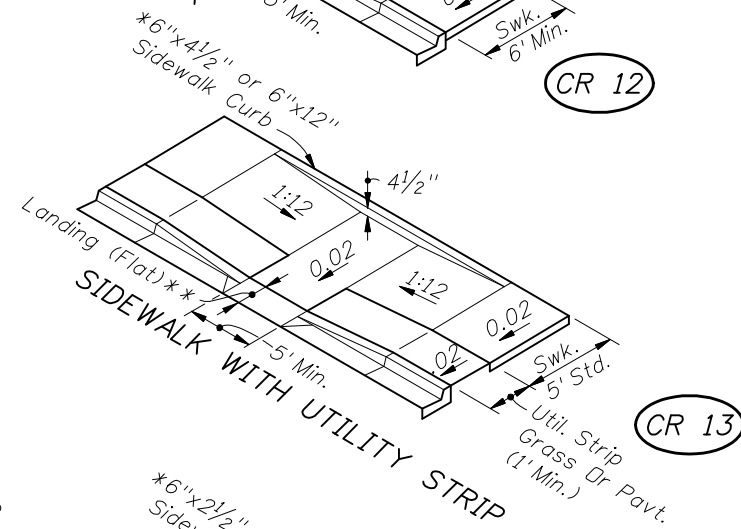
CR 12



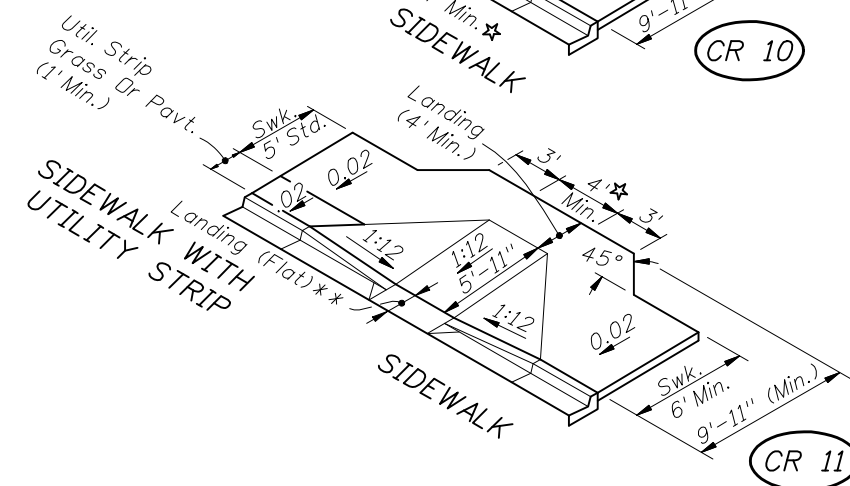
CR 10



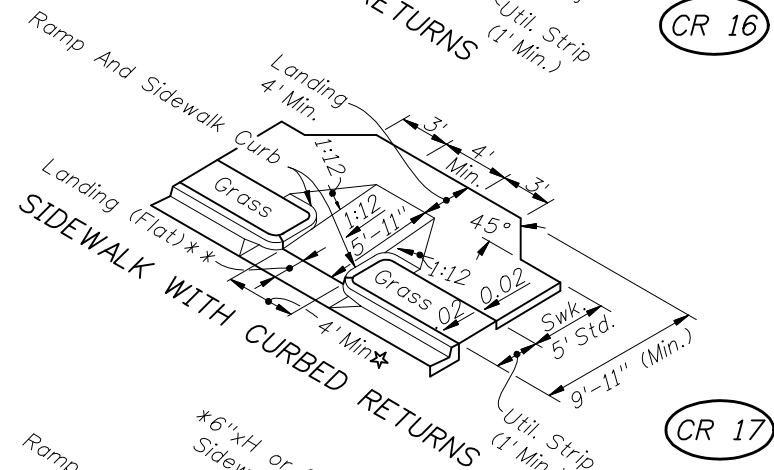
CR 16



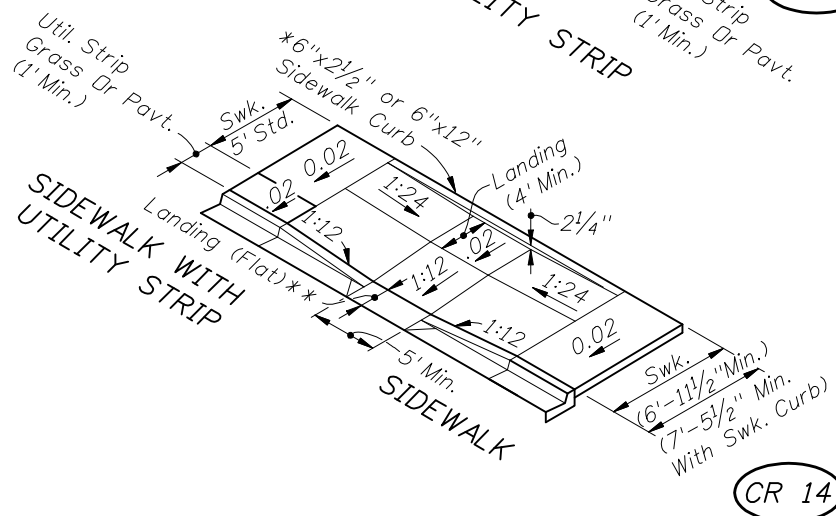
CR 13



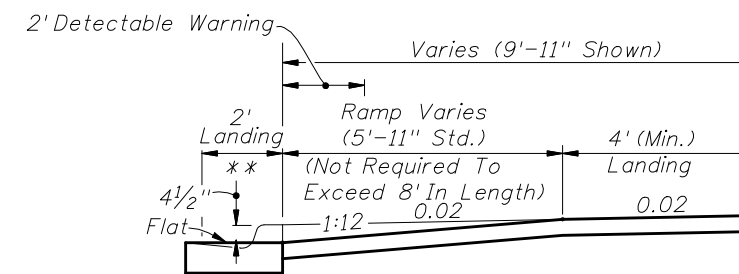
CR 11



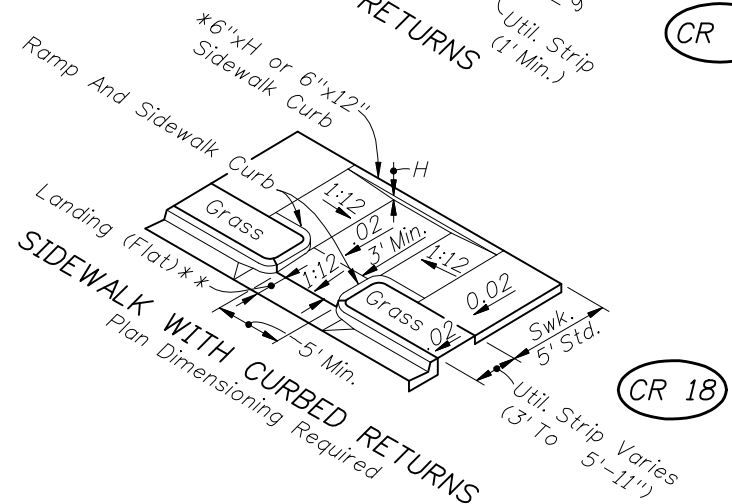
CR 17



CR 14



SECTION THROUGH RAMP RUN AND LANDINGS WITH UPPER LANDING AT NORMAL SIDEWALK ELEVATION

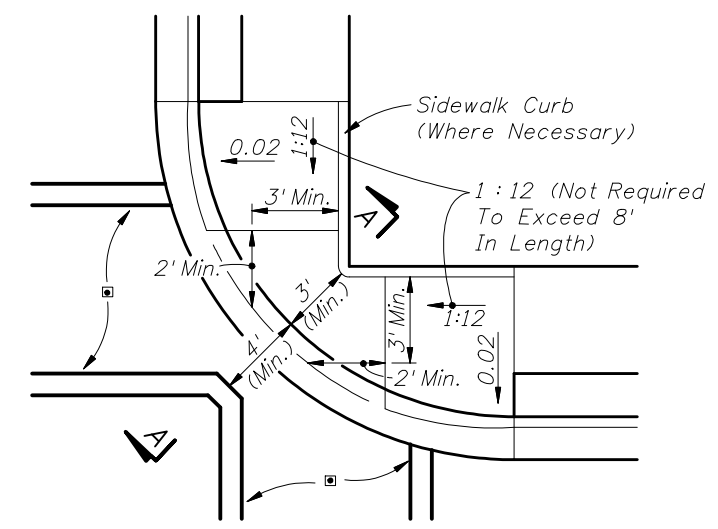
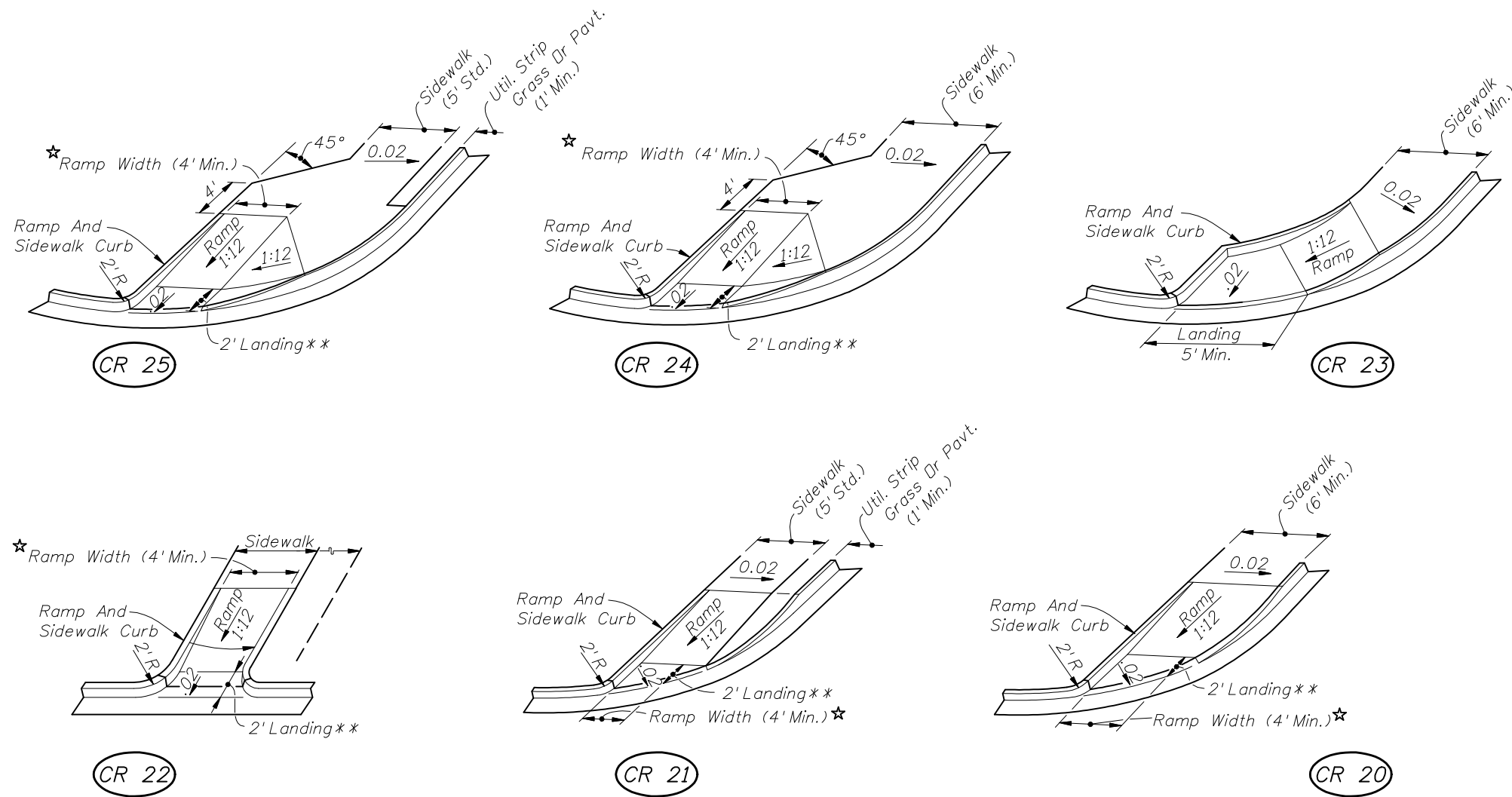


CR 18

- ☆ Ramp Widths For Curb Ramps CR 10, CR 11, CR 15, CR 16, And CR 17 May Be Reduced To 3' Min. In Restricted Conditions When Approved By The Engineer.
- * For BACK OF SIDEWALK CURB OR BUFFER TRANSITION And For RAMP AND SIDEWALK CURB OPTIONS See Sheet 4.
- ** Lower landing not required at driveways, parking lots, or other areas with pavement cross-slopes less than 2% (0.02).

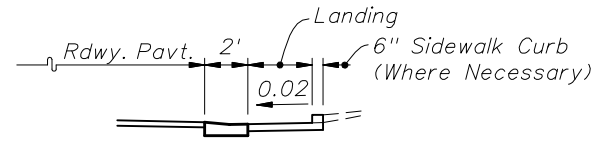
DIMENSIONAL FEATURES FOR PUBLIC SIDEWALK CURB RAMPS WHERE RAMP AND LANDING DEPTH ARE RESTRICTED BY RIGHT OF WAY





□ Crosswalk width and configuration vary; must conform to Index No. 17344 and 17346.

PLAN

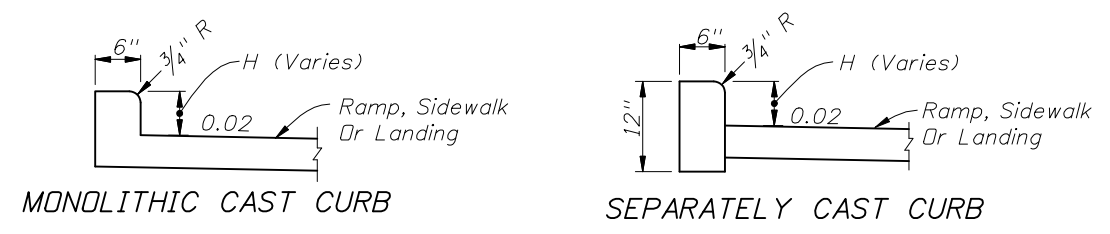


SECTION AA

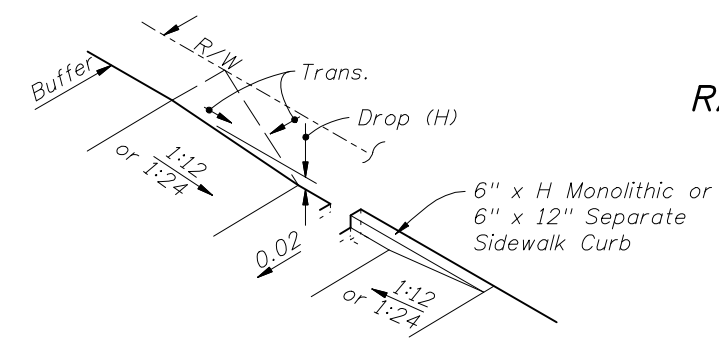
CR 26

DIMENSIONAL FEATURES FOR PUBLIC SIDEWALK CURB RAMPS FOR LINEAR PEDESTRIAN TRAFFIC

DIMENSIONAL FEATURES FOR PUBLIC SIDEWALK COMBINED CORNER RAMPS UNDER CONDITIONS OF INFEASIBILITY



RAMP AND SIDEWALK CURB OPTIONS

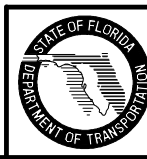


Construct Sidewalk Curb In Absence Of Adequate Buffer, Maintainable Surface Contour, Abutting Structure, Or When Called For In The Plans Or Standards

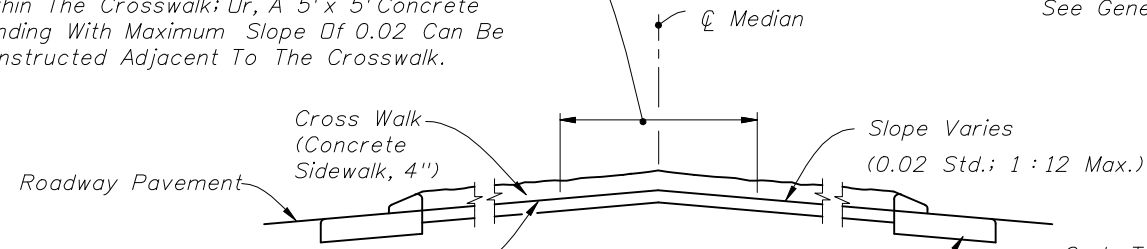
BACK OF SIDEWALK CURB OR BUFFER TRANSITION

★ Ramp Widths For Curb Ramps CR 20, CR 21, CR 22, CR 24, and CR 25 May Be Reduced To 3' Min. In Restricted Conditions When Approved By The Engineer.

**Lower landing not required at driveways, parking lots, or other areas with pavement cross-slopes less than 2% (0.02).



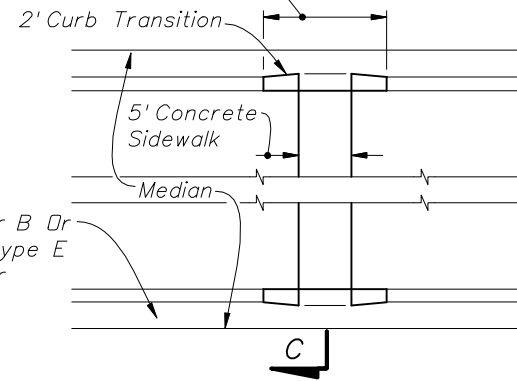
5' Refuge With Maximum Slope Of 0.02 Must Be Provided When Slopes Of 0.05 Or Flatter And 5' In Length Are Not Available On Crosswalk; The Refuge Can Be Constructed At Any Location Within The Crosswalk; Or, A 5' x 5' Concrete Landing With Maximum Slope Of 0.02 Can Be Constructed Adjacent To The Crosswalk.



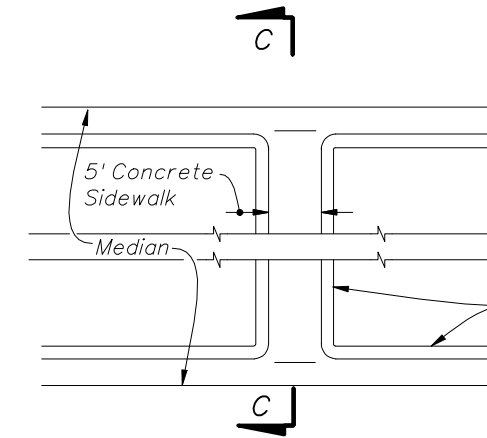
Slopes Shall Intersect At Centerline Of Median On The 0.02 Rate When The Edge Of Pavement Elevations Are Equal. The Slopes May Intersect Off The Centerline For Variable Edge Of Pavement Elevations Or To Accommodate Other Construction In The Median; However, Slopes Shall Not Be Steeper Than 1:12.

SECTION CC

Curb Transition (On Existing Facilities Remove And Reconstruct Curb Or Curb And Gutter) For Payment See General Note 8.



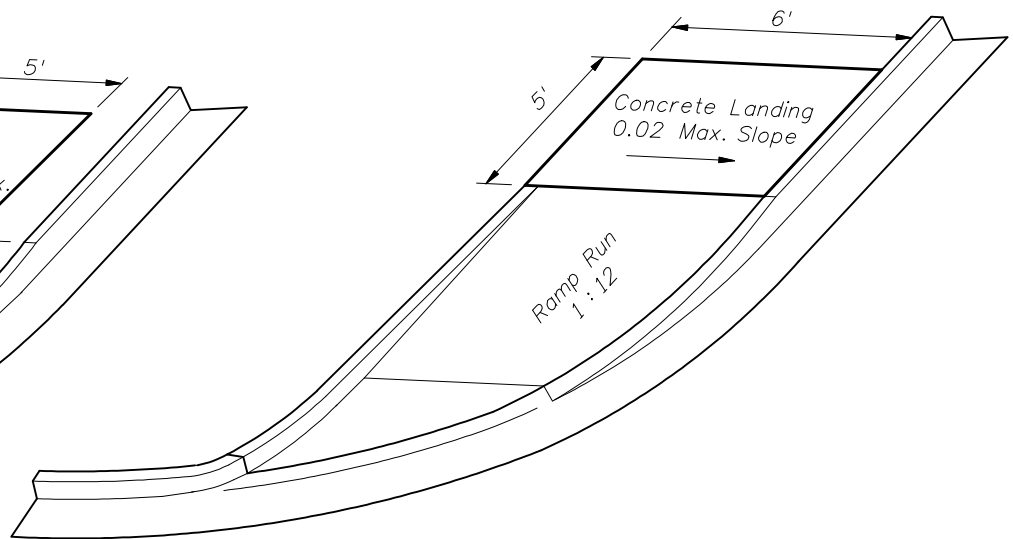
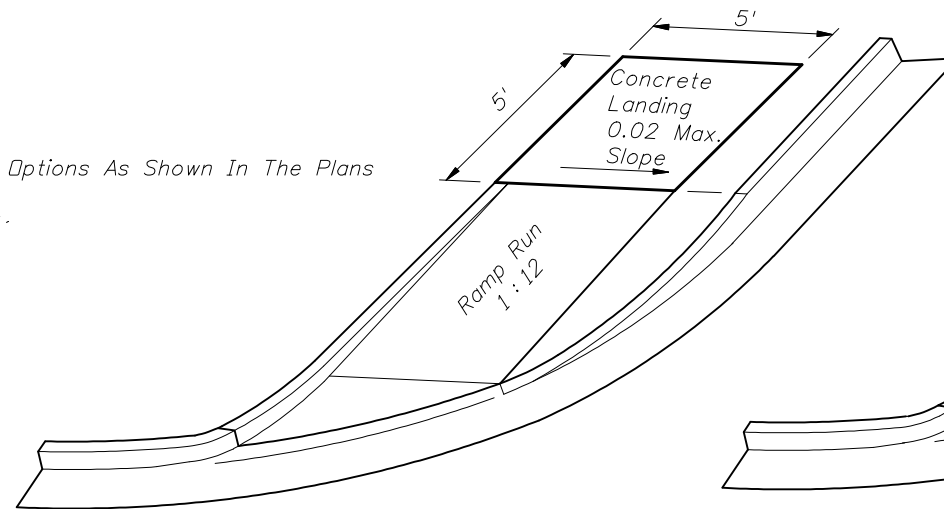
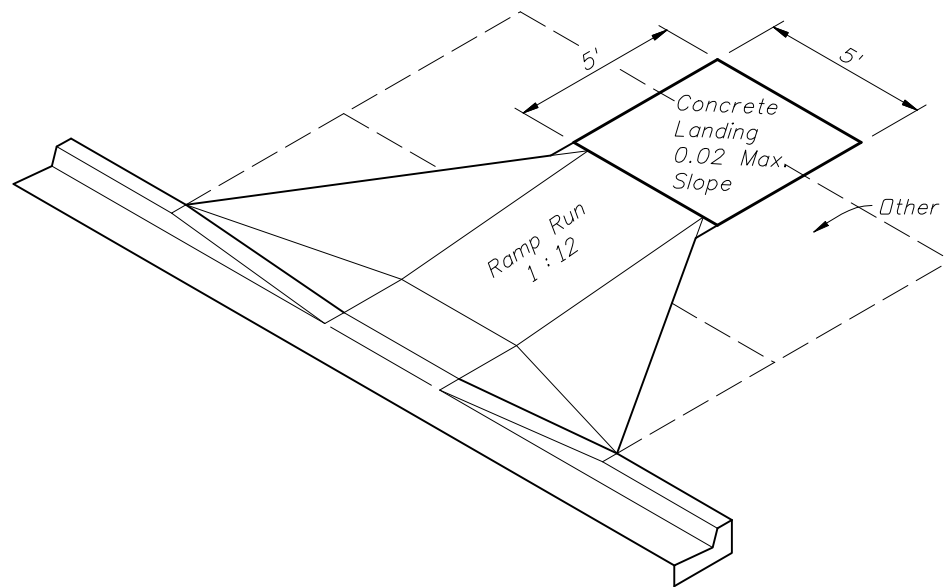
PLAN



PLAN - (ALTERNATE DETAIL)

Curb Types A Or B Or Curb & Gutter Type E (Curb And Gutter Type E Shown)

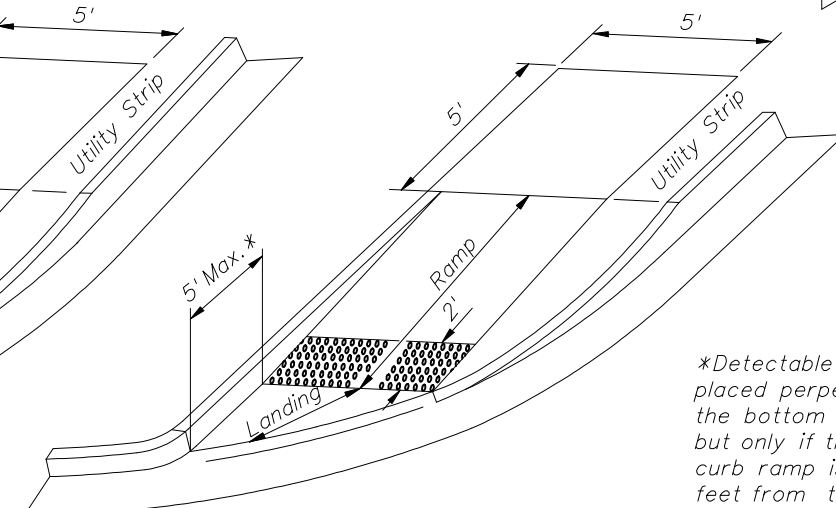
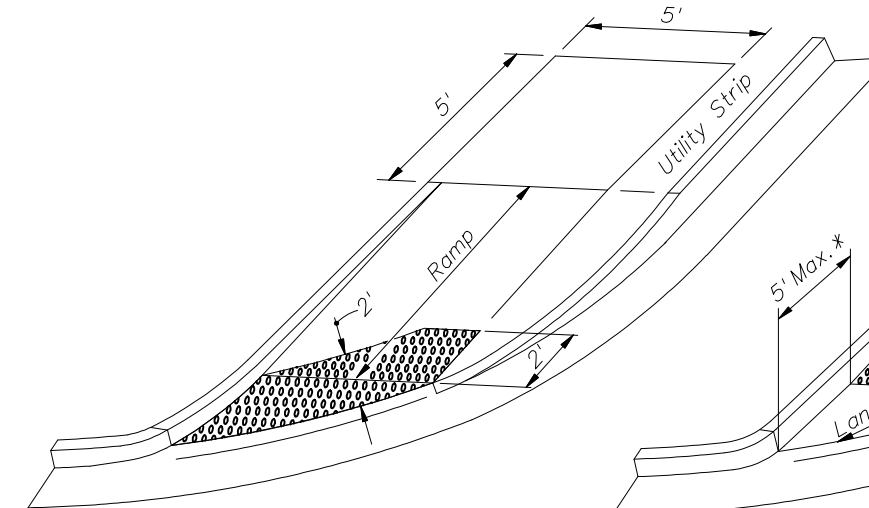
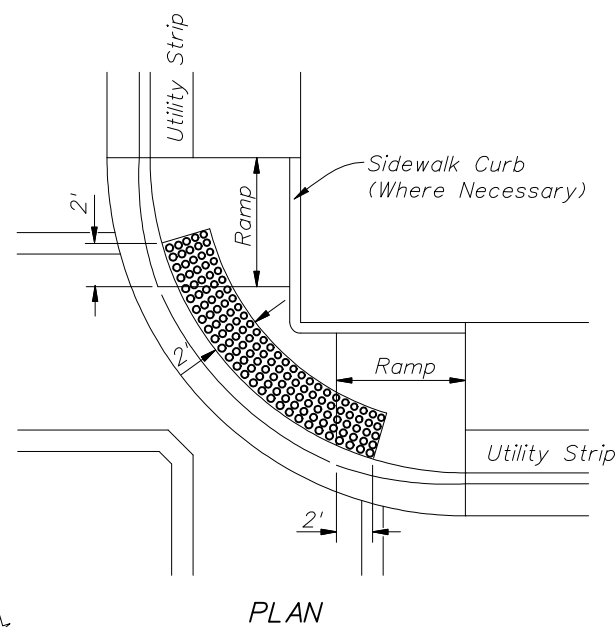
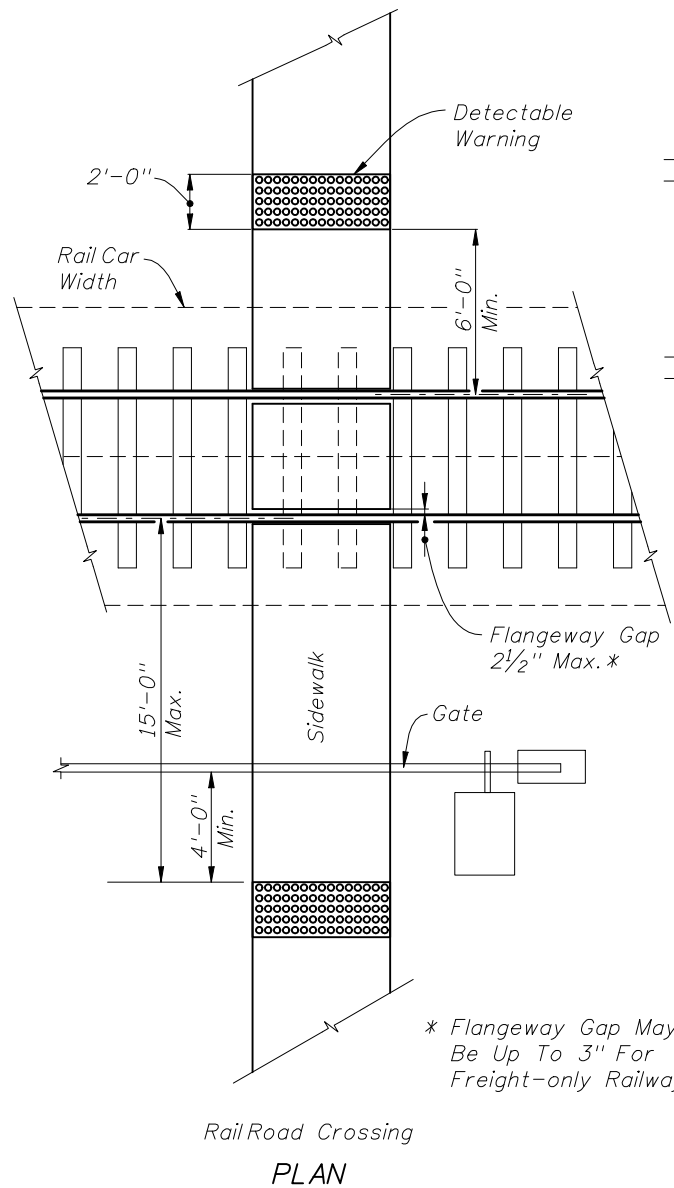
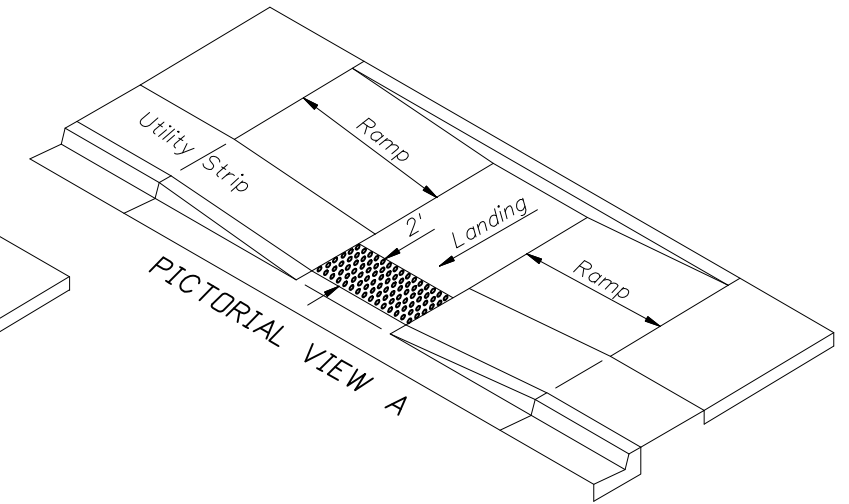
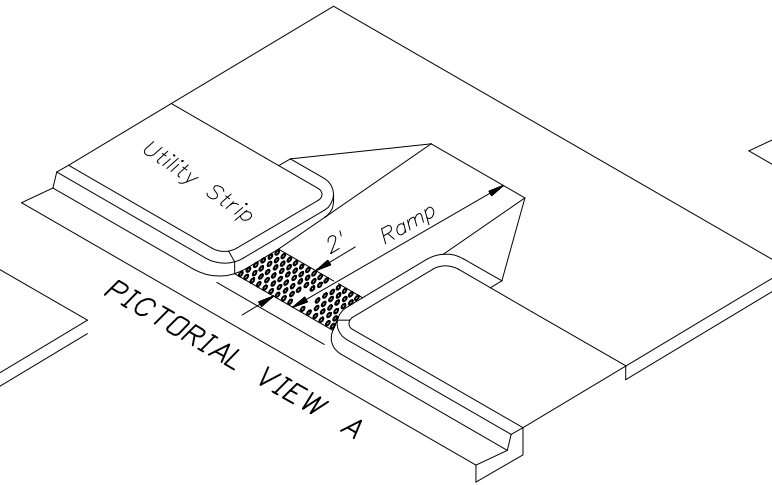
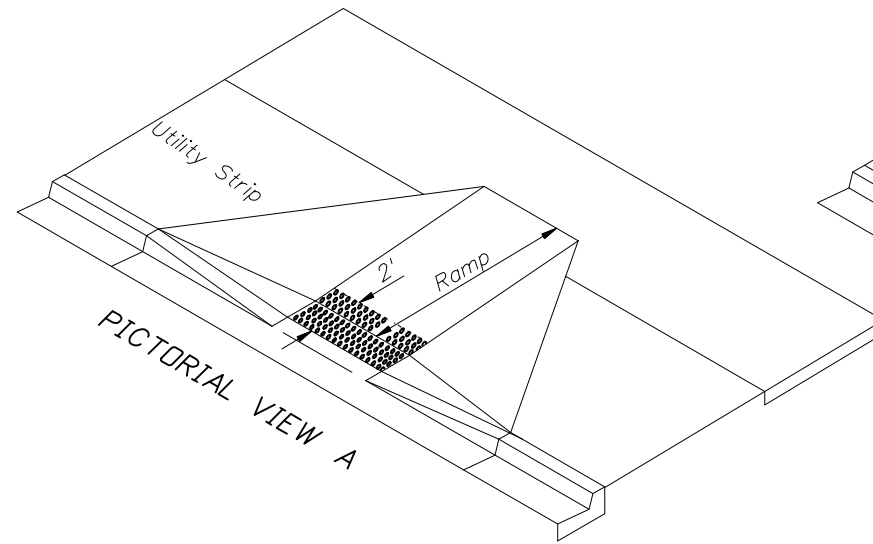
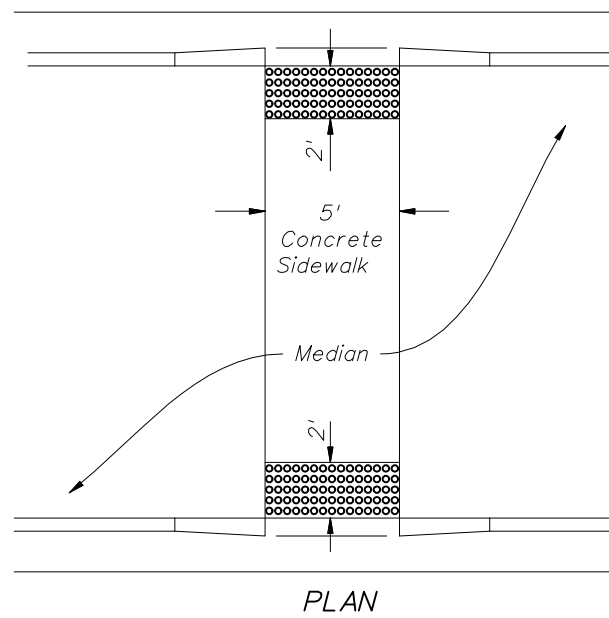
MEDIAN CROSSWALKS



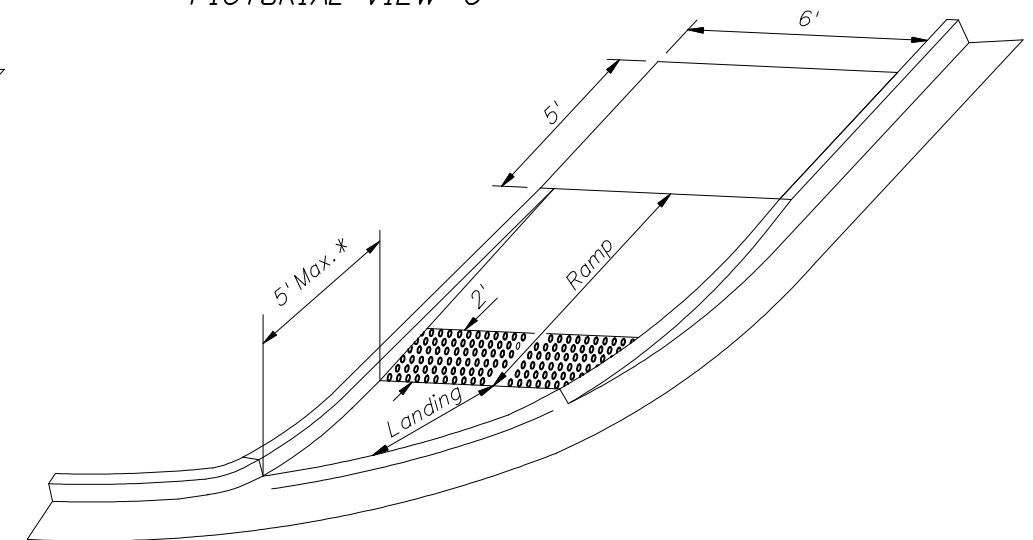
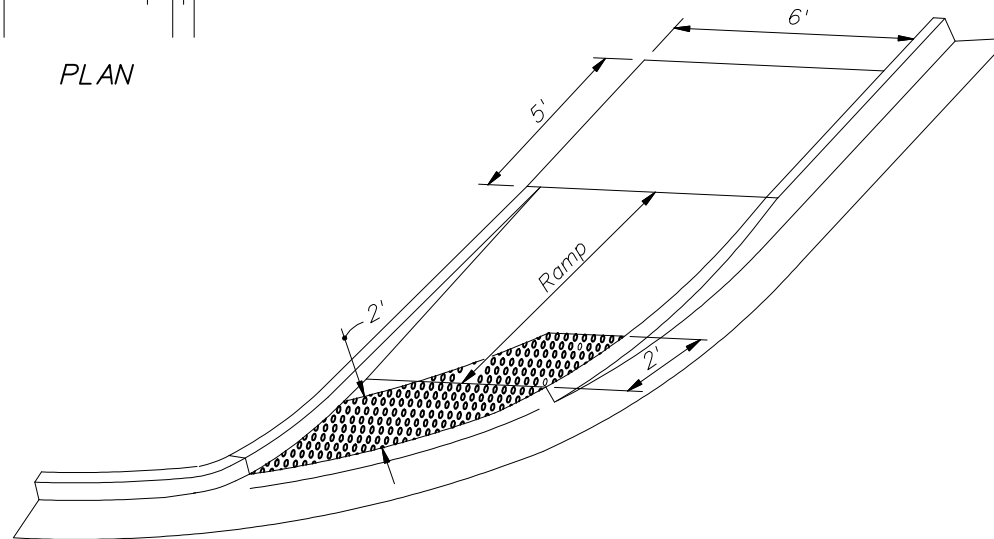
LANDINGS FOR RAMPS WITHIN PUBLIC RIGHT OF WAY CONSTRUCTED AT LOCATIONS WHERE FUTURE SIDEWALKS ARE PROPOSED, WHERE STABLE SURFACES OTHER THAN SIDEWALKS ARE PART OF A CONTINUOUS PASSAGE OR WHERE A CURB FALLS ALONG THE CIRCULATION PATH TO PEDESTRIAN ROUTES ON ADJACENT SITES



On curb ramps, landings and flush transitions perpendicular to the curb line: Rows of domes shall be aligned with the centerline of the ramp. (See Pictorial View A)



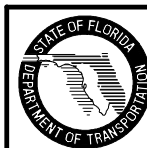
*Detectable warnings may be placed perpendicular across the bottom of the curb ramp, but only if the bottom of the curb ramp is no more than 5 feet from the back-of-curb.



On landings and flush transitions at radius returns: Rows of domes are not required to be aligned with the centerline of the ramp. (See Pictorial View B)

On curb ramps at radius returns: Rows of domes shall be aligned with the centerline of the ramp. (See Pictorial View C)

TYPICAL PLACEMENT OF DETECTABLE WARNING AT CURB RAMPS



2010 FDOT Design Standards

PUBLIC SIDEWALK CURB RAMPS

Last Revision 01/01/09

Sheet No. 6 of 6

Index No. 304